

## INSTRUCTION FOR CORRECT INSTALLATION AND USE

Fixture: Mobile **Table Lamp**

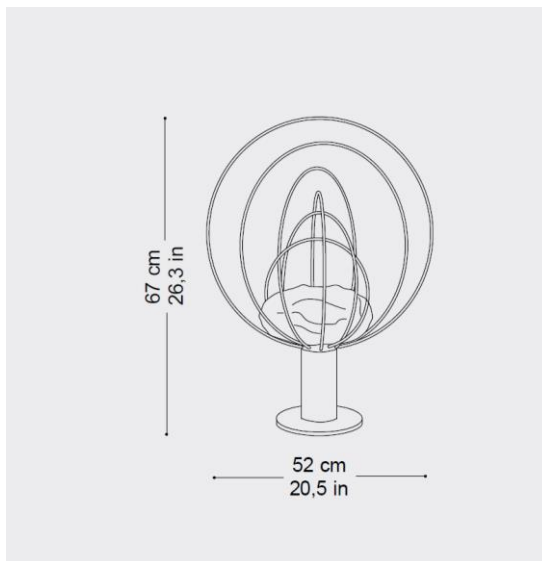
Model: **BARNABA**

Article: 2104



### **TECHNICAL DATA**

Power supply voltage:	<b>220-230V ~ 50Hz 110-120V ~ 50Hz</b>
Tolerance:	<b>± 10%</b>
Power Factor (cosφ):	<b>See bulbs data</b>
Room temperature	<b>25°C ± 10°C - // 77°F +/- 50°F</b>
International Protection:	<b>20</b>
Light Bulbs:	<b>1X E27/E26 R63 MAX 30W LED</b>
Class:	<b>II</b>
Installation:	<b>Table Lamp</b>
<b>WEIGHT:</b>	<b>11 KG – 24 lb</b>



**Light fixture for indoor use only - (IP20)**

### **Materials:**

Glass  
Brass

**Angelo Brotto design, 1974**



### **Safety Warnings**

The safety of this appliance is guaranteed only if the following instructions are adhered to; therefore, it is necessary to follow them closely and completely. Retain these instructions for reference.

- This light fixture is safe only if installed by a qualified electrician, respecting its intended use and observing the rules of maintenance. Substitution of parts should be done only by a qualified electrician, respecting current regulations and using materials of equal electrical, thermal, and mechanical characteristics.
- Before installing the light fixture, inspect for any damage: in the case of defects or any doubts thereof, please contact the dealer. Defective parts and/or light bulbs need to be immediately replaced; to protect against electrocution and to reduce the risk of fire, before turning on the switch, check that all of the bulbs are inserted correctly and that they do not exceed the recommended wattage indicated on the product label; pay particular attention while changing the bulbs, as their surfaces can be very hot.
- Check that the power supply voltage is equal to that which is indicated on the product label.
- Do not install light bulbs that exceed the indicated wattage.
- Clean only the external surfaces, reflectors and covers. Water or other liquids must not come into contact with the electrical wiring or with the compartments which contain these elements.
- Do not leave the packing materials (boxes, plastic bags, Styrofoam, etc.) within the reach of children as they can be dangerous (risk of suffocation, abrasions, etc.).
- The light fixture is not intended for in-series installation with other lighting fixtures, etc.
- If the external power cable or cord of this light fixture is damaged, it must be replaced only by the manufacturer, by their service agents, or by an equivalent qualified electrician, in order to avoid potential danger.
- Free-standing lighting fixtures must have adequate stability. The fixture must not tip over. It is recommended to always keep it on a perfectly level and stable surface.
- This product conforms to the Low Voltage Directive of the European Parliament (2014/35/EU).
- The manufacturer does not take any responsibility for installations that do not conform with current regulations, or for assembly and maintenance that does not respect these safety warnings and instructions for use.

### **CLEANING INSTRUCTIONS**

Use only a soft cloth to clean the appliance, dampened with water and soap or mild cleanser.

Warning: do not use alcohol or other solvents.

## INSTRUCTION FOR CORRECT INSTALLATION AND USE

The crossed-out bin symbol shown on the label indicates that the product, at the end of its useful life, must be treated separately from household waste, must be taken to a separate collection center for electrical and electronic equipment or returned to the retailer. The user is responsible for providing the appliance at the end of its life to the appropriate collection facilities, under penalty of penalties provided for by current waste legislation.

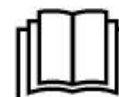
Adequate separate collection for the subsequent start-up of the decommissioned appliance for recycling, treatment and environmentally compatible disposal helps to avoid possible negative effects on the environment and health and favors the recycling of the materials of which the product is made.

For more detailed information regarding the collection systems available, contact the local waste disposal service or the shop where the purchase was made.

Producers and importers fulfill their responsibility for recycling, treatment, environmentally compatible disposal both directly and by participating in a collective system.



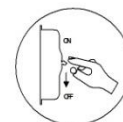
- Retain a copy of these instructions to the maintenance manager for consultation, knowledge of the warnings and for proper and regular maintenance.



- Before opening the device to replace the bulb, disconnect the power from the main electrical system.



- Before starting the assembly, at each check and maintenance, disconnect the power supply using the main switch of the electrical system.



- If this symbol is on the label, the fixture must not be mounted on a normally flammable surface.



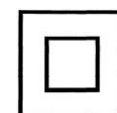
- It certifies the conformity of the product with the provisions of the Community directives.



- Fixture "For internal use only".



- Class 2 fixtures (IEC 60417-5172 (2003-02)).



- Fixtures not suitable for being covered with thermally insulating material



## INSTRUCTION FOR CORRECT INSTALLATION AND USE

ATTENTION! Use only LED bulbs.

### Installation

1- Using two hands, insert the crystal through the rings and place it on the base.



#### ➤ Wire Installation



Direct wire installation should only be performed by a qualified licensed electrician. The manufacturer does not take any responsibility for installations that do not take place according to current regulations.

- Retain these instructions for reference.

- 1. Before performing any type of maintenance to this light fixture, including assembly and placement of the lampshade, make certain that the fixture is not plugged into the power supply.
- 2. Attach the light fixture's power cable to a wall socket that conforms with the standard domestic electrical system (230V ~ 50/60Hz Europe) (120V ~ 50/60Hz USA)
- 3. Use the 0/I switch on the power cord to turn the light fixture's bulb on or off. If the light fixture is fitted with a dimmer switch, move the slider/lever in order to regulate the light output to the desired intensity.  
  
To change the light source with another of equal (or lesser) rated wattage at the rated voltage (as listed on the label attached to the fixture near the lamp base), carefully remove the lighting system.
- To change the light bulb, unplug the power cord from the wall socket, hold the external casing of the E27 lamp holder with one hand, and screw/unscrew the bulb with the other hand, making sure not to burn yourself on the bulb or its fitting. Once the maintenance is complete, check each part of the floor lamp to ensure that it is free from damage or metal, electrical, and/or stability hazards.
- ATTENTION! Use "DIMMABLE" light bulbs if there is a dimmer switch/knob installed on either the light fixture or the main electrical system.

## INSTRUCTION FOR CORRECT INSTALLATION AND USE

4. Reconnect the power from the main electrical system.

- Direct wire installation should only be performed by a qualified licensed electrician.
- The manufacturer does not take any responsibility for installations that do not take place according to current regulations.
- Retain these instructions for reference.
- Before installing, DO NOT FORGET to remove the power cord from the wall socket.
- Before using, verify that the plug on the power cord is compatible with your electrical system.
- If the external power cable or cord of this light fixture is damaged, it must be replaced only by the manufacturer, by their service agents, or by an equivalent qualified electrician, in order to avoid potential danger.